

Traffic Pro

Enterprise System



XR6 with Mounting Bracket (optional)



XR6 with Reflector

Standard Sensors XR6

Traffic Pro sensors are custom designed, state-of-the-art infra-red sensors.

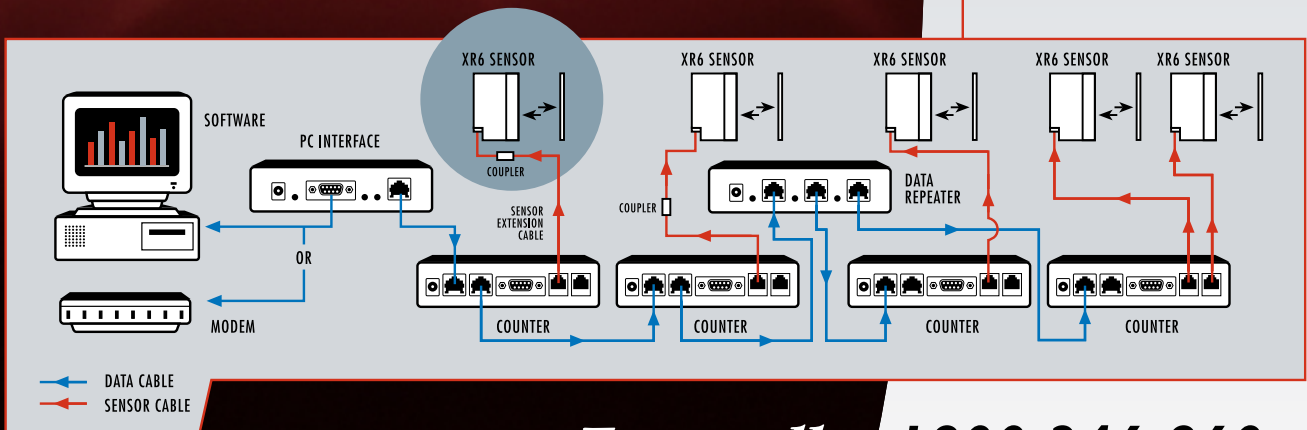
Each sensor is selected for its robust construction, reliability and compatibility.

Information is a major component in the success of today's customer orientated businesses.

Our sensors will provide the characteristics you value in your IT purchase.

Traffic Pro Enterprise System

Where do Sensors fit in?



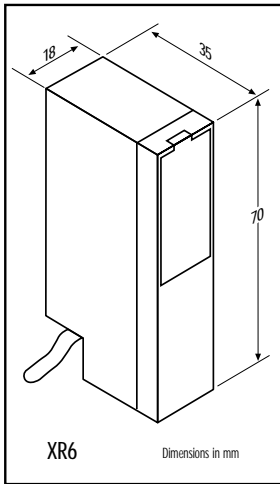
Freecall

1800 246 860

www.trafficpro.com

ENTERPRISE Standard Sensors XR6

Specifications

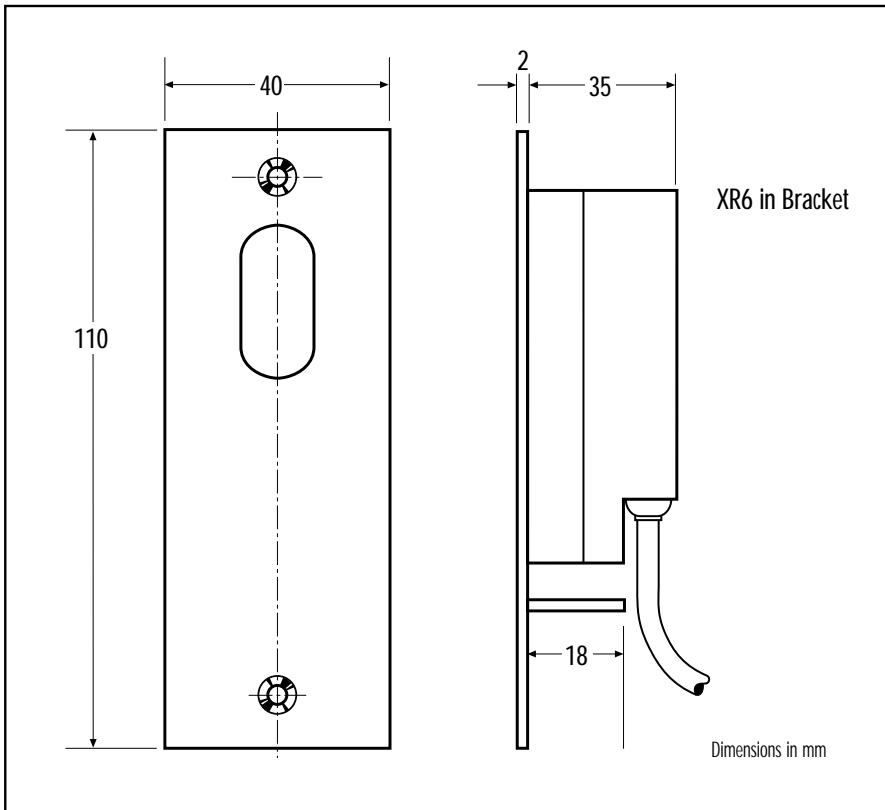


XR6 SENSOR

Operating Range	6 metres
Supply Voltage	10 to 24 VDC
Current Consumption (without load)	≤ 35 mA
Light	Infra-Red
Switching Outputs	PNP
Switching Frequency Maximum	4ms
Enclosure Rating	IP67 (Weatherproof)
Circuit protections	Reverse-polarity, over-current
Ambient Operating Temperature	-25° to + 25° C
Weight	135g
Cable Length	2m

Why choose the Standard Sensor?

- Cost effective
- Multi purpose
- Ideal for cavity walls
- Large range (up to 6 metres)
- Easy installation
- Easy sensor alignment



Comparison Chart

	Reflector
XR6 (as shown)	
RANGE	8
SIZE	8
COST EFFECTIVE	10
CE15	
RANGE	10
SIZE	9
COST EFFECTIVE	8
CR3	
RANGE	7
SIZE	9
COST EFFECTIVE	9
EE8	
RANGE	9
SIZE	10
COST EFFECTIVE	7
ER3	
RANGE	7
SIZE	10
COST EFFECTIVE	8

Freecall
1800 246 860
www.trafficpro.com

Available from: