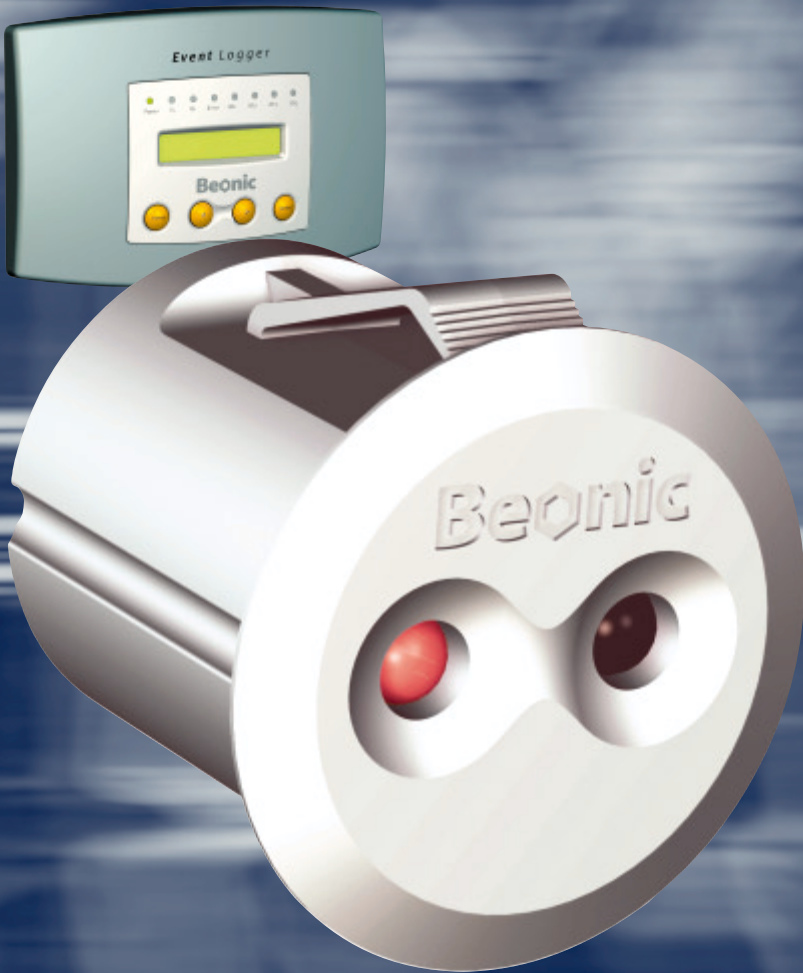


IR Sensor



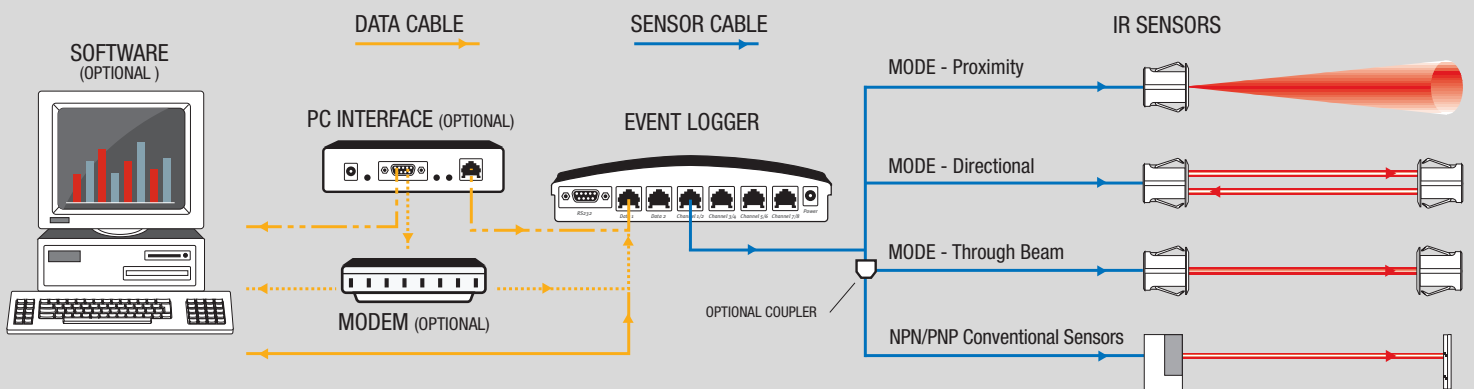
Beonic IR Sensors are custom designed, state-of-the-art infra-red sensors.

The sensors are high speed, compact devices of robust construction, reliable and are easily installed. They are inconspicuous and suitable for most types of door frames and walls.

The Beonic IR Sensors utilise the Beonic Event Logger to supply power, as well as their functional characteristics.

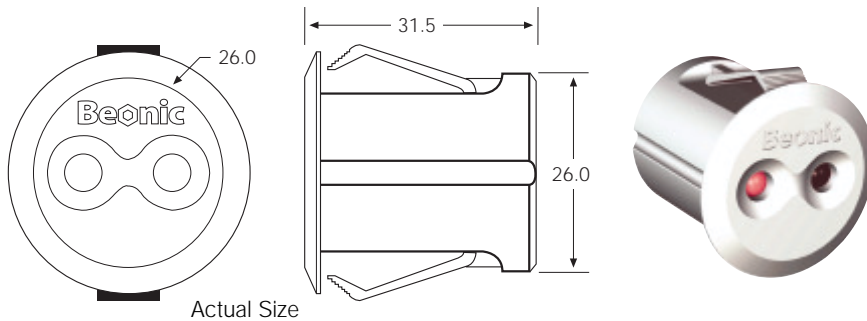
Three-in-one sensing modes - Proximity, Directional and Though Beam - all from the one sensor type.

Where do the IR Sensors fit in?



Specifications IR Sensor

Operations	Through Beam, Directional, and Proximity
Power	Supplied by Event Logger
Current Consumption	≤ 70 mA ±10%
Light	Infra-Red
Switching Frequency	700 Hz
Enclosure Rating	IP67 (Waterproof)
Circuit Protections	Reverse-polarity, Over-current
Operating Temperature	0° to +55° C
Weight	20g
Cable Length	2.5 metres
Options	<ul style="list-style-type: none"> • Face Plate • Dual Coupler



Dimensions

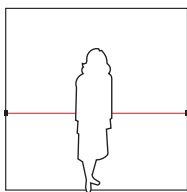
Internal Width	26.0mm
Internal Depth	31.5mm
Face Depth	2.0mm

Colours

Grey	
Cream	
Black	
White	

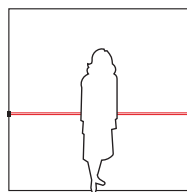
IR Sensor Modes

Through Beam



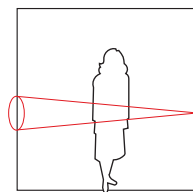
2 Sensors (1 beam)

Directional



2 Sensors (2 beams)

Proximity



1 Sensor (1 beam)

The **Beonic IR Sensor** is capable of 3 modes of operation simply by switching the functionality of the **Beonic Event Logger** Menu.

Why choose Beonic IR Sensors?

- Small in size
- Easily installed
- Unobtrusive
- Suitable for most door frames and walls
- Economical

Beonic IR Sensors Applications

- Determine traffic volume into and around shopping centres, retail outlets, public space and venues
- Count traffic IN and OUT each door
- Calculate occupancy
- Record traffic within proximity
- Count vehicular traffic into a car park

Beonic IR Sensor Configurations

- Bi-directional - two sensors aligned opposite each other to count people or objects moving IN or OUT (Maximum range - up to 10 metres)
- Through Beam - two sensors aligned opposite each other to count people or objects passing that position (Maximum range - up to 10 metres)
- Proximity - one sensor pointing into open space or across a pathway to count people or objects passing that position (Maximum range - up to 2 metres)

Beonic IR Sensors available from: